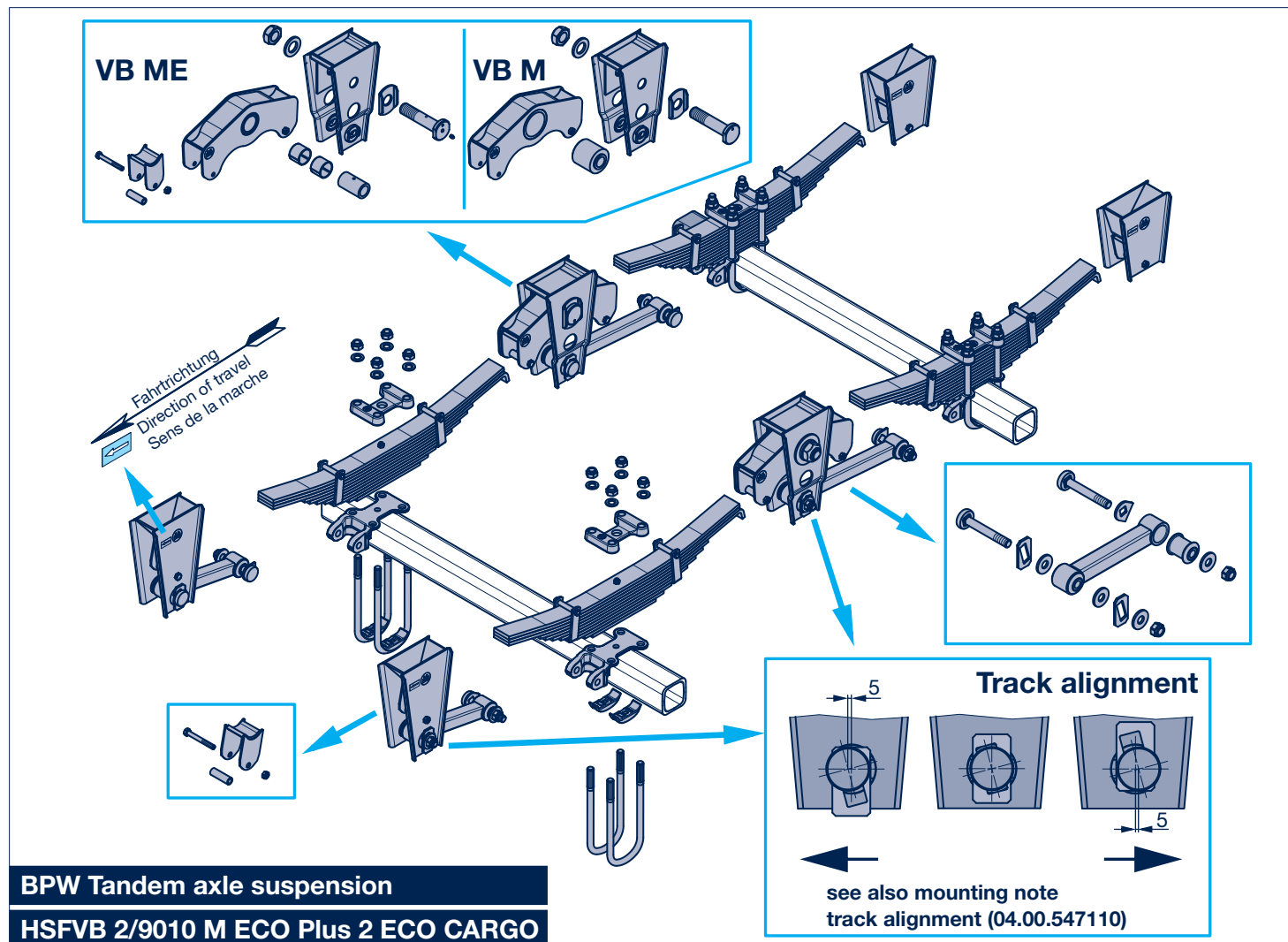




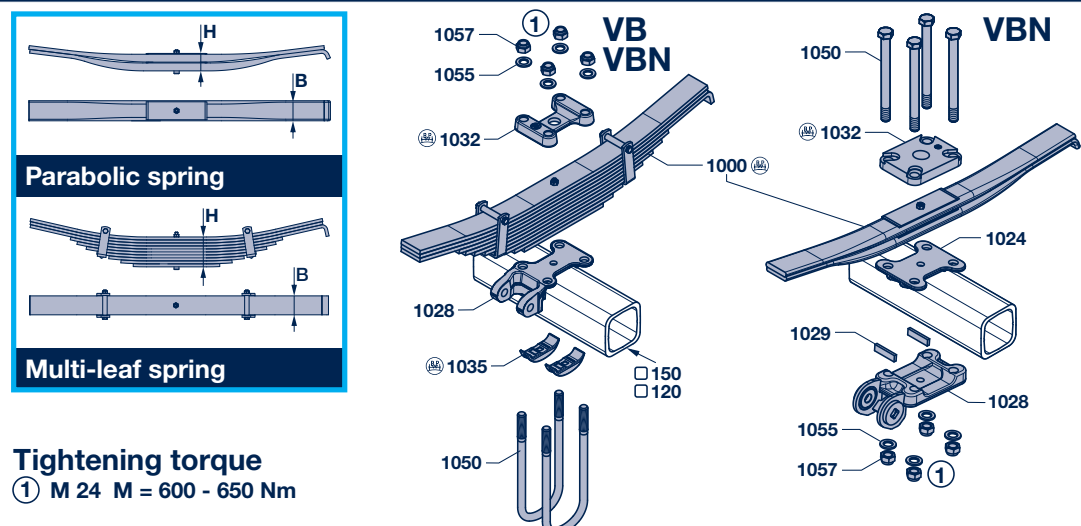
The most important spare parts at a glance



BPW Tandem axle suspension
HSFVB 2/9010 M ECO Plus 2 ECO CARGO

-parts are embossed with BPW Code no.

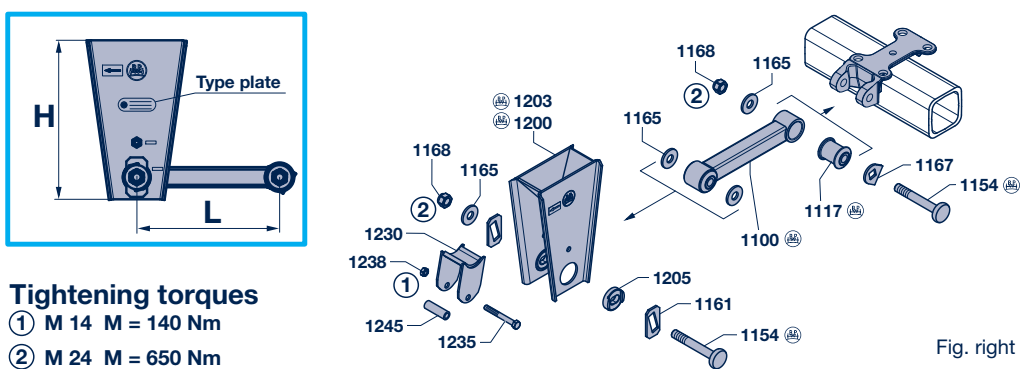
Leaf springs, axle clamping (VB/VBN M / ME ECO CARGO)



Tightening torque
① M 24 M = 600 - 650 Nm

Item	Designation	Dimension	BPW Code no.
1000	Leaf spring	2 leaves / H = 66 / B = 76 3 leaves / H = 90 / B = 76 10 leaves / H = 120 / B = 76 11 leaves - 12t / H = 143 / B = 76	05.082.04.46.0 05.082.04.47.0 05.082.04.45.0 05.082.04.44.0
1024	Spring seat (for VBN)		03.032.18.26.0
1028	VB-spring seat	□ 120	03.189.16.04.0
	VBN-spring seat	□ 150	03.189.16.03.0
	VBN-spring seat	□ 120	05.189.16.13.0
1029	Plate (for VBN)	75 x 20 x 8	03.283.53.12.0
1032	Spring plate	□ 120 / 101 x 150 □ 150 / 101 x 180	03.145.25.27.0 03.145.23.32.0
	Spring plate (for VBN)	□ 120 / 102 x 150	03.145.25.28.0
1035	Segment	□ 120 / 41 x 122,5 □ 150 / 47,5 x 155	03.345.23.02.1 03.345.25.01.1
1050	Spring U-bolt	□ 120 / M 24 / 152 x 320 □ 120 / M 24 / 152 x 345 □ 120 / M 24 / 152 x 365 □ 150 / M 24 / 180 x 420	03.138.41.08.4 03.138.41.05.4 03.138.41.06.4 03.138.45.04.4
	Screw (for VBN)	M 24 x 290 - 10.9 / SW 36	02.5024.10.11
1055	Washer	A 25	02.5401.25.07
1057	Lock nut	VM 24 - 10 / SW 36	02.5220.74.12

Front hanger brackets (VB/VBN M / ME ECO Cargo)



Tightening torques
① M 14 M = 140 Nm
② M 24 M = 650 Nm

Item	Designation	Execution	Wheel base (WB)	Dimension	BPW Code no.
1200	Front hanger bracket cpl., left incl. item 1100 - 1245	VBN M VBN M VBN M / ME VB M / ME VB M / ME	1310 / 1380 1310 / 1380 1360 1310 / 1380 1360 / 1600 / 1820	H = 285 / L = 330 H = 357 / L = 330 H = 357 / L = 355 H = 395 / L = 330 H = 395 / L = 355	05.375.73.11.0 05.375.73.17.0 05.375.73.29.0 05.375.73.23.0 05.375.73.07.0
1203	Front hanger bracket cpl., right incl. item 1100 - 1245	VBN M VBN M VBN M / ME VB M / ME VB M / ME	1310 / 1380 1310 / 1380 1360 1310 / 1380 1360 / 1600 / 1820	H = 285 / L = 330 H = 357 / L = 330 H = 357 / L = 355 H = 395 / L = 330 H = 395 / L = 355	05.375.73.10.0 05.375.73.18.0 05.375.73.28.0 05.375.73.22.0 05.375.73.08.0
1100	Connecting rod, rigid incl. item 1117		1310 / 1380 1360 / 1600 / 1820	L = 330 L = 355	05.443.49.83.0 05.443.49.80.0
1117	Bush			Ø 24.2 / 38 / 60 / 68 x 79	05.113.97.27.0
1154	Screw			M 24 x 171 / Ø 56	03.340.14.33.0
1161	Plate (adjusting plate)			98 x 51.5 x 6	03.281.44.25.0
1165	Washer			Ø 25 / 60 x 6	03.320.33.28.0
1167	Plate (torsion protection)			60 x 60 x 6	03.281.43.17.0
1168	Lock nut			M 24 / SW 36	03.260.14.13.0
1205	Bush			24.3 / 36.6 / Ø 67.6 x 21	03.113.03.10.0
1230	Support (slider)				05.189.16.07.0
1235	Hexagon screw			M 14 x 120 / SW 22 M 14 x 130 / SW 22	02.5022.12.80 02.5022.11.82
1238	Lock nut			M 14 - 8 / SW 22	02.5273.14.82
1243	Hexagon screw			M 20 x 140 / SW 30	02.5023.19.80
1244	Lock nut			VM 20 - 8 / SW 30	02.5220.50.82
1245	Tube			Ø 16 / 25 x 78	03.300.73.42.0
1250	Shackle			120 / 1 x Ø 15 / 1 x Ø 21	03.232.96.02.0
1320	Equalizing beam, only incl. item 1230 + 1340	VB M / VBN M VB ME VB M / VBN M VB M VB M	1310 / 1360 1360 1380 1600 1820	A = 385 A = 385 A = 455 A = 625 A = 850	05.291.12.96.0 05.291.12.98.0 05.291.13.04.0 05.291.13.00.0 05.291.13.02.0
1340	Bush			Ø 42 / 60 / 106 x 106 Ø 60 / 65 x 50	05.113.97.26.0 03.112.76.27.0
1342	Sleeve			Ø 42 / 60 x 106	03.200.17.05.0
1345	Threaded bolt			M 42 x 3 / Ø 42 x 207 / SW 70 M 42 x 3 / Ø 42 x 207 / SW 70	03.177.16.40.0 03.177.16.41.0
1347	Grease nipple			AM 10 x 1	02.6802.03.50
1350	Plate (wearing plate)			Ø 43 / 150 x 150 x 6	03.281.45.19.0
1352	Washer			Ø 42 / 119 x 6	03.320.16.10.0
1353	Washer			A 43	02.5401.43.01
1360	Lock nut			VM 42 x 3 / SW 65	02.5220.91.26
1370	Shaped plate (anti-rotation device for screw)				03.161.44.10.0

SW = Spanner width

Explanation of BPW type codes (Extract)

H	S	F	VB	2 /	9010	M	ECO Plus 2	ECO CARGO	(Example)
H									H.. Trailer axle series
NH									NH..
SH									SH..
S									for single wheels, wheels without offset for twin wheels
Z									Wheel studs M 22 x 1.5 without wheel nuts, order wheel nuts for stud or spigot alignment separately for spigot alignment
F									VB Mechanical suspension series VB
M									VBN Mechanical suspension series VBN, low design
									Single axle
				2 /					Tandem axle suspension
				3 /					Tri axle suspension
					9010 to 12010				Axle load (kg) + quantity of wheel studs per hub
						M			M Reinforced version
						ME			ME Reinforced version with bronze bushes
							ECO MAXX		Trailer axle with ECO MAXX Unit
							ECO Plus		Trailer axle with ECO Plus Unit
							ECO Plus 2		Trailer axle with ECO Plus 2 Unit
							ECO Plus 3		Trailer axle with ECO Plus 3 Unit
							ECO CARGO		ECO CARGO - new VB-Series up to 07/2013

This spare parts list shows fast moving parts for BPW running gear systems ECO CARGO VB. For further spare parts see BPW spare parts catalogue and / or spare parts lists of the corresponding single axles without suspension parts.

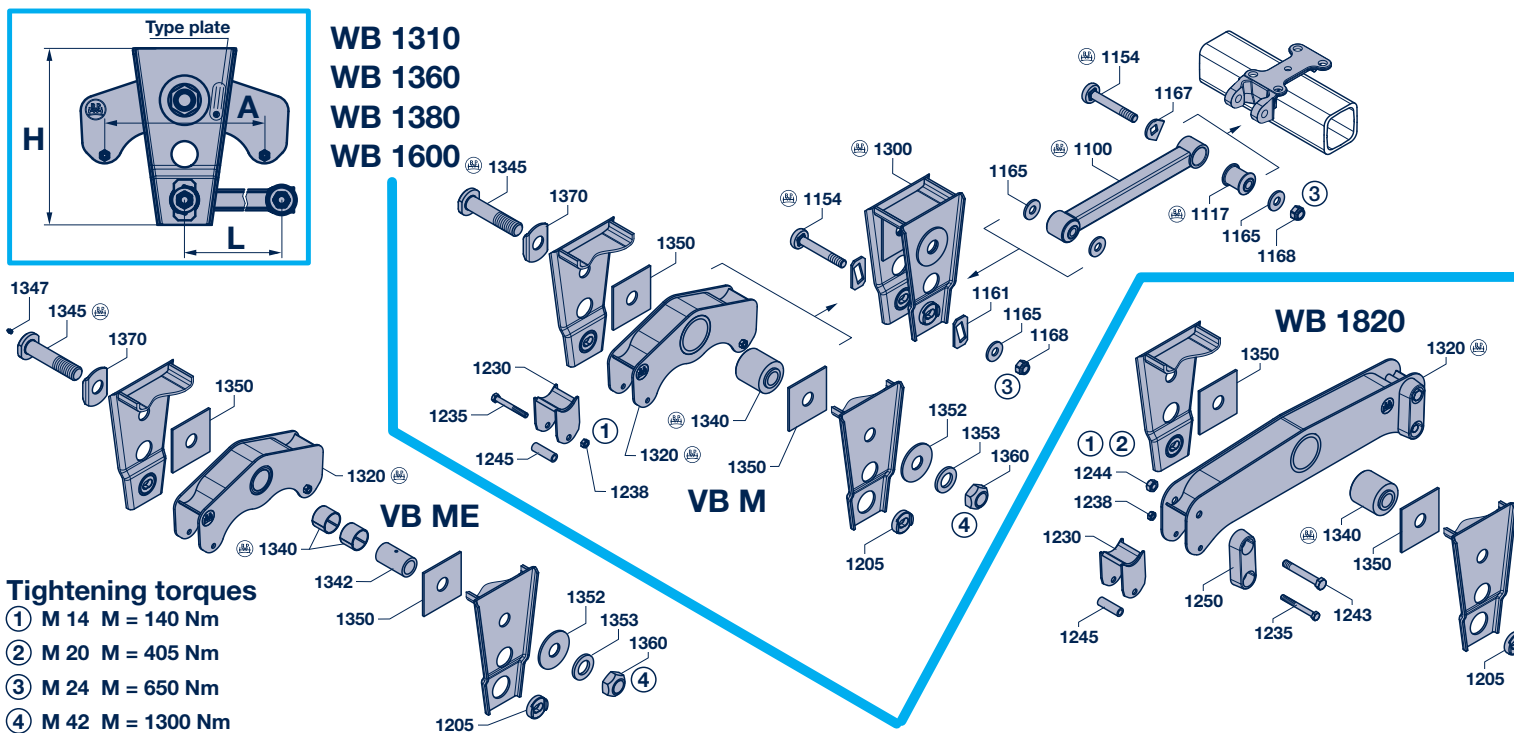
Rear hanger brackets (VB/VBN M / ME ECO CARGO)



Tightening torque
① M 14 M = 140 Nm

Item	Designation	Execution	Dimension	BPW Code no.
1400	Rear hanger bracket cpl., left incl. item 1230 - 1245	VBN M VBN M VB M / ME	H = 170 H = 242 H = 280	05.375.73.15.0 05.375.73.21.0 05.375.73.05.0
1405	Rear hanger bracket cpl., right incl. item 1230 - 1245	VBN M VBN M VB M / ME	H = 170 H = 242 H = 280	05.375.73.14.0 05.375.73.20.0 05.375.73.04.0
1230	Support (slider)			05.189.16.07.0
1235	Hexagon screw		M 14 x 120 / SW 22	02.5022.12.80
1238	Lock nut		M 14 - 8 / SW 22	02.5273.14.82
1245	Tube		Ø 16 / 25 x 78	03.300.73.42.0

Equalizing beams (VB/VBN M / ME ECO CARGO)



Tightening torques
① M 14 M = 140 Nm
② M 20 M = 405 Nm
③ M 24 M = 650 Nm
④ M 42 M = 1300 Nm

Item	Designation	Execution	Wheel base (WB)	Dimension	BPW Code no.
1300	Equalizing beam cpl. with hanger bracket, left and right incl. item 1100 - 1370	VBN M VB M VBN M VB M VB ME VBN M VB M VB M VB M	1310 1310 1360 1360 1360 1380 1380 1600 1820	H = 395 / L = 500 / A = 385 H = 425 / L = 500 / A = 385 H = 395 / L = 520 / A = 385 H = 425 / L = 520 / A = 385 H = 425 / L = 520 / A = 385 H = 395 / L = 535 / A = 455 H = 425 / L = 535 / A = 455 H = 425 / L = 640 / A = 625 H = 425 / L = 750 / A = 850	05.292.14.76.0 05.292.14.80.0 05.292.14.81.0 05.292.14.71.0 05.292.14.73.0 05.292.14.77.0 05.292.14.78.0 05.292.14.74.0 05.292.14.75.0
1100	Connecting rod, rigid incl. item 1117		1310 1360 1380 1600 1820	L = 500 L = 520 L = 535 L = 640 L = 750	05.443.49.84.0 05.443.49.79.0 05.443.49.85.0 05.443.49.81.0 05.443.49.82.0
1117	Bush			Ø 24.2 / 38 / 60 / 68 x 79	05.113.97.27.0
1154	Screw			M 24 x 171 / Ø 56	03.340.14.33.0
1161	Plate (adjusting plate)			98 x 51.5 x 6	03.281.44.25.0
1165	Washer			Ø 25 / 60 x 6	03.320.33.28.0
1167	Plate (torsion protection)			60 x 60 x 6	03.281.43.17.0
1168	Lock nut			M 24 / SW 36	03.260.14.13.0
1205	Bush			24.3 / 36.6 / Ø 67.6 x 21	03.113.03.10.0
1230	Support (slider)				05.189.16.07.0
1235	Hexagon screw			M 14 x 120 / SW 22 M 14 x 130 / SW 22	02.5022.12.80 02.5022.11.82
1238	Lock nut			M 14 - 8 / SW 22	02.5273.14.82
1243	Hexagon screw			M 20 x 140 / SW 30	02.5023.19.80
1244	Lock nut			VM 20 - 8 / SW 30	02.5220.50.82
1245	Tube			Ø 16 / 25 x 78	03.300.73.42.0
1250	Shackle			120 / 1 x Ø 15 / 1 x Ø 21	03.232.96.02.0
1320	Equalizing beam, only incl. item 1230 + 1340	VB M / VBN M VB ME VB M / VBN M VB M VB M	1310 / 1360 1360 1380 1600 1820	A = 385 A = 385 A = 455 A = 625 A = 850	05.291.12.96.0 05.291.12.98.0 05.291.13.04.0 05.291.13.00.0 05.291.13.02.0
1340	Bush			Ø 42 / 60 / 106 x 106 Ø 60 / 65 x 50	05.113.97.26.0 03.112.76.27.0
1342	Sleeve			Ø 42 / 60 x 106	03.200.17.05.0
1345	Threaded bolt			M 42 x 3 / Ø 42 x 207 / SW 70 M 42 x 3 / Ø 42 x 207 / SW 70	03.177.16.40.0 03.177.16.41.0
1347	Grease nipple			AM 10 x 1	02.6802.03.50
1350	Plate (wearing plate)			Ø 43 / 150 x 150 x 6	03.281.45.19.0
1352	Washer			Ø 42 / 119 x 6	03.320.16.10.0
1353	Washer			A 43	02.5401.43.01
1360	Lock nut			VM 42 x 3 / SW 65	02.5220.91.26
1370	Shaped plate (anti-rotation device for screw)				03.161.44.10.0